

# »FELINO« BY GWINNER

01/2018

valid from 01.01.2018

Gwinner Wohndesign

with prices in €



**GWINNER**<sup>®</sup>  
LEBENSFREUDE LÄSST SICH EINRICHTEN.



# Table of contents

Finishes	<b>Page</b>	<b>4</b>
Product information and ordering information	<b>Page</b>	<b>5-7</b>
Combinations	<b>Page</b>	<b>8-17</b>
Planning system for individual models	<b>Page</b>	<b>18-24</b>
Recommended coffee tables, dining tables and chairs	<b>Page</b>	<b>25</b>
Accessories (lighting, shelves, etc.)	<b>Page</b>	<b>26-27</b>

## Customer services:

### Sales:

You can call us:

Mon to Fri 8 a.m. – 6 p.m. Tel. +49 (0) 7445 183 0

Sat 10 a.m. – 4.30 p.m. Tel. +49 (0) 7445 183 370

**Send orders via e-mail to:**

**Auftrag@gwinner.de**

### Planning information:

You can call us:

Mon to Fri 8 a.m. – 6 p.m. Tel. +49 (0) 7445 183 370

Sat 10 a.m. – 4.30 p.m. Tel. +49 (0) 7445 183 370

Fax +49 (0) 7445 183 399

### Website:

[www.gwinner.de](http://www.gwinner.de)

## Price group 1

### **Front and carcase**

White, taupe or fango matt silk lacquer

### **Panels**

White, taupe or fango matt silk lacquer

**NEW** Concrete or rust-effect look

## Price group 2

### **Front and carcase**

White, taupe or fango matt silk lacquer

### **Panels**

Honey oak timber or natural knotty walnut

#### **Planning information for display-unit rear panels in a contrast finish:**

If display-unit rear panels are required in a different finish to the carcase, e.g. a different lacquer finish, concrete or rust-effect look, or veneer, they must be ordered and charged separately.

The colour and wood finishes have been specifically created for Gwinner products and can therefore not be found in any standard. Gwinner colour samples provide an approximate reproduction and serve only as a guide.

# Product information

**Felino has been awarded the DGM mark of quality by the German Furniture Quality Association**

**Country of manufacture:** Germany



- Geprüfte Qualität
- Garantierte Sicherheit
- Gesundes Wohnen

...erkennen Sie an diesem Zeichen

## Materials used:

The fronts are made from 19-mm-thick MDF panels in all lacquered finishes. Sides, shelves, panels and rear panels are made from E1 chipboard. Visible surfaces are lacquered. Veneered or lacquered panels are 33-mm thick, and rear panels are 5-mm thick.

The drawers are mounted on soft-close, cushioned partial-extension Quadro runners, and have been tested  times.

Doors and glass doors are mounted on nickel-plated, three-way adjusting, fast-assembly metal cup hinges, which have been tested  times. It is guaranteed that functionally compatible replacement parts will be available for all wear parts for at least five years.

Display-unit doors and panel shelves are made from parasol grey float glass, glass shelves are made from clear float glass.

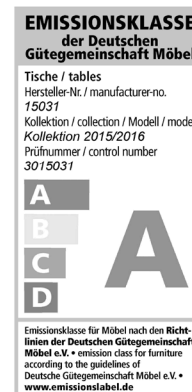
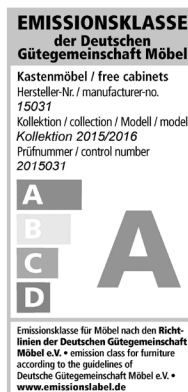
## Load-bearing capacity:



Base-elements drawers have a load-bearing capacity of 15 kg; all other drawers have a load-bearing capacity of 10 kg when loaded evenly. Wooden shelves have a load-bearing capacity of 15 kg; glass shelves have a load-bearing capacity of 10 kg; additional information relating to load-bearing capacity can be found on the relevant elements.

## Home hygiene:

Felino meets the requirements for a healthy home environment, it has been tested for harmful substances in accordance with the RAL-GZ 430/1-1 standard from the RAL Deutsches Institut für Gütesicherung und Kennzeichnung (RAL German Institute for Quality Assurance and Certification).



## Care instructions:

Wipe with a dry duster or a slightly damp cloth. The lacquers used are highly resistant to abrasion in accordance with DIN 68861.

## Electrics:

All lighting elements and connection cables are VDE-tested.

## Energy usage:

The LED lights used correspond to the energy classes **A\*\*** to **A** on a scale of **A\*\*** (most efficient) to **E** (least efficient). The bulbs in the LED lights cannot be replaced.

Subject to errors, as well as design, colour and material modifications as part of technical progress.

# Product information

## Quality features:

All visible carcass parts are lacquered on the outside and inside.

The drawers are mounted on soft-close, partial-extension Quadro runners. Soft-close full-extension runners are available at a surcharge.

The all-metal clip-on hinges are adjustable in three directions. All doors are soft-closing as standard.

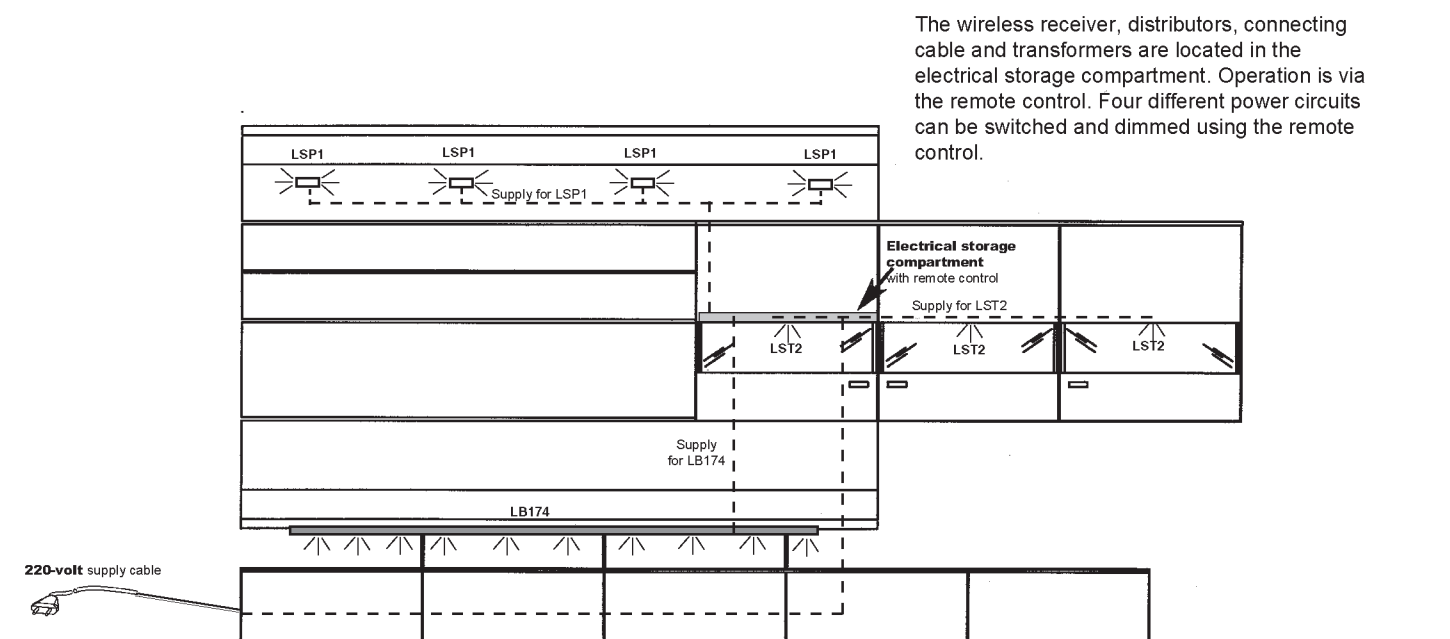
## Veneer features:

Please note that every piece of precious veneer is unique and can vary widely from one veneer trunk to another by its very nature. Despite our veneer specialists taking the greatest care, variations from brochure illustrations and unit samples cannot be ruled out.

For oak timber and knotty walnut, veneers with cracks and knots are purposely chosen and filled to be darker. Only this time-consuming process gives the panels and display-unit rear panels their desired natural character. We would like to expressly state that these growth and processing characteristics are desired features on the Felino and they increase the value by being unique, and cannot therefore be seen as a quality defect.

**Electrical installation:** The following drawing offers a schematic view of the electrical installation positions and routing. The illustrations of the wiring, lighting and electrical storage compartment are only symbolic and are not to scale. Except for the cable duct, the wiring shown is on the rear of the elements.

A white, paintable cable duct is supplied to optimise the cable routing between the base element and wall units or angled shelf. The cable duct can be glued or screwed to the wall. Depending on the cable cross-section, one to three cables can be laid in the duct.



## Planning and ordering information

Felino can be configured in any way using the planning programme

**furn plan**

Only Gwinner's current type list applies for price, dimensions and design information.

### Have you included everything in your plan?

The following information is required for the Felino:

- **The lacquer finish for the front and carcass**
- **The finish for the panels and display-unit rear panels**
- **Positioning sequence or sketch for freely designed configurations**
- **Accessories and lighting, if required**
- **Send orders via e-mail to:  
Auftrag@gwinner.de**

! When including lighting, we recommend using the electrical storage compartment with radio remote control. As a result, all transformers, connectors and distributors are neatly stored away but are still easily accessible; all lighting can be operated using the remote control.

Please note that the delivery time may be extended if an order is unclear or incomplete. Please ensure you provide all details when placing your order to enable us to process your order quickly and correctly.

## Options for varying wall combinations

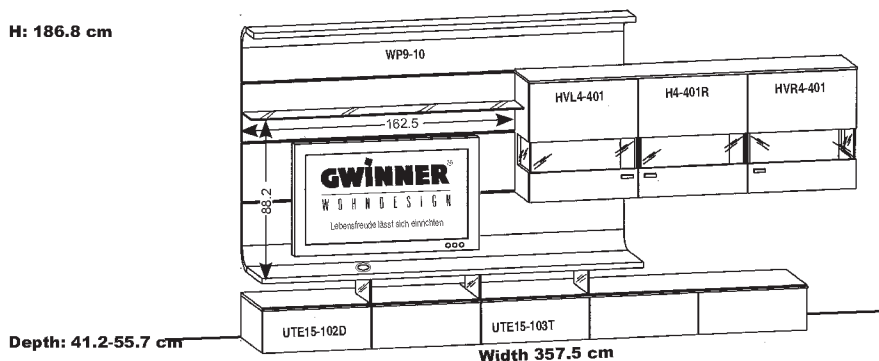
- Wall combinations can be extended by incorporating additional elements. The order in which elements are positioned can be changed or reversed at no extra cost.
- For a **single** modification charge of € 158,-, any number of parts from a wall combination can be exchanged with parts from the type list.
- If the price of the new type/types is higher, the difference in element price must be added to the modification charge. Lower prices will not be refunded.

**When ordering, please specify the order number of the wall combination on which your order is based. This number enables us to process the requested modifications.**

# Wall combinations with low base elements (1.5 incr.) Prices ex. lighting & accessories

Dimensions in cm directly beside the corresponding picture.

H: 186.8 cm



**Order no.** FE1 (as shown) FE1-SV (mirror-image)  
 PG 1 €  
 PG 2 €

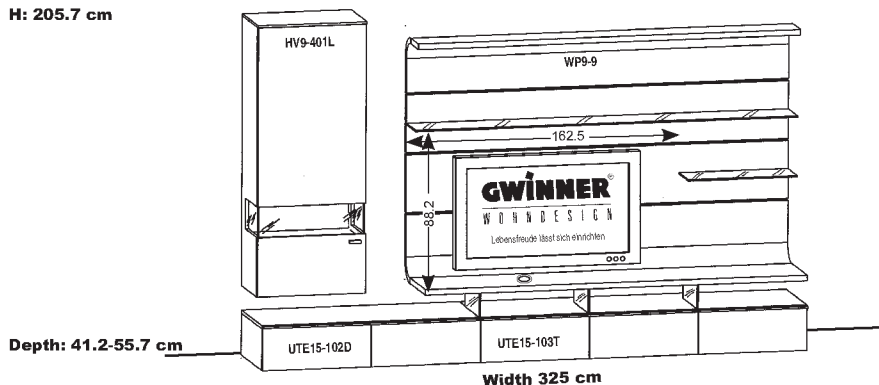
**Recommended accessories:** each €

Lighting	
3 LED spotlights for display units	LST2
1 LED light for TV niche	LB174
4 LED lights for panels	LSP1
1 transformer, 30 watt	LEVG30
El. storage compartment with remote control	LES65F

General accessories	
5 full-extension runners for base el.	VZ500
1-5 organisers for base element	OET65
3 contrast display-unit rear panels	RW2-65

**For article descriptions and information about energy classes, see Accessories on p. 26-27**

H: 205.7 cm



**Order no.** FE2 (as shown) FE2-SV (mirror-image)  
 PG 1 €  
 PG 2 €

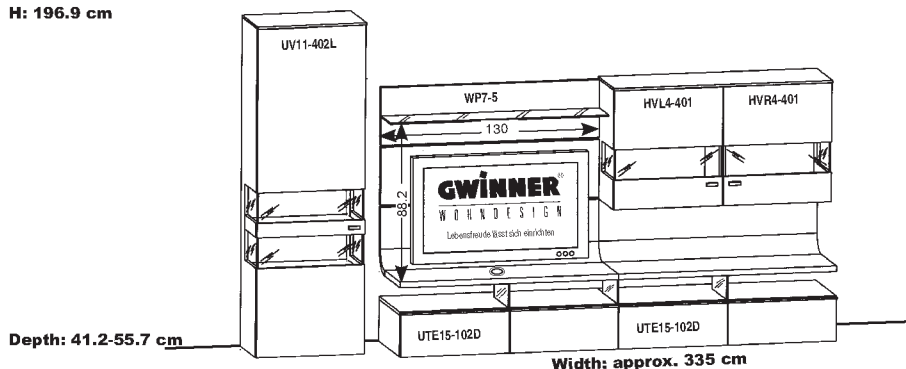
**Recommended accessories:** each €

Lighting	
1 LED spotlight for display unit	LST2
1 LED light for TV niche	LB174
4 LED lights for panels	LSP1
1 transformer, 15 watt	LEVG15
El. storage compartment with remote control	LES65F

General accessories	
5 full-extension runners for base el.	VZ500
1-5 organisers for base element	OET65
1 contrast display-unit rear panel	RW2-65

**For article descriptions and information about energy classes, see Accessories on p. 26-27**

H: 196.9 cm



**Order no.** FE3 (as shown) FE3-SV (mirror-image)  
 PG 1 €  
 PG 2 €

**Recommended accessories:** each €

Lighting	
4 LED spotlights for display units	LST2
2 LED lights for TV niche	LB114
1 transformer, 30 watt	LEVG30
El. storage compartment with remote control	LES65F

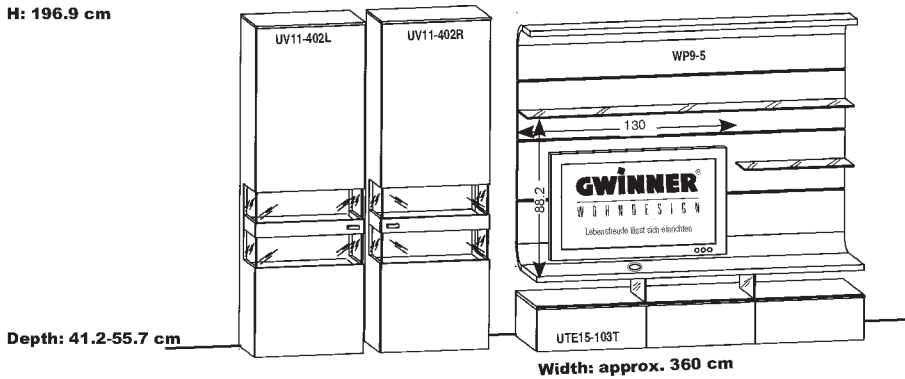
General accessories	
4 full-extension runners for base el.	VZ500
1-4 organisers for base element	OET65
2 contrast display-unit rear panels	RW2-65
2 contrast display-unit rear panels	RW15-65

**For article descriptions and information about energy classes, see Accessories on p. 26-27**

# Wall combinations with low base elements (1.5 incr.) Prices ex. lighting & accessories

Dimensions in cm directly beside the corresponding picture.

H: 196.9 cm



**Order no.** FE7 (as shown) FE7-SV (mirror-image)  
 PG 1 €  
 PG 2 €

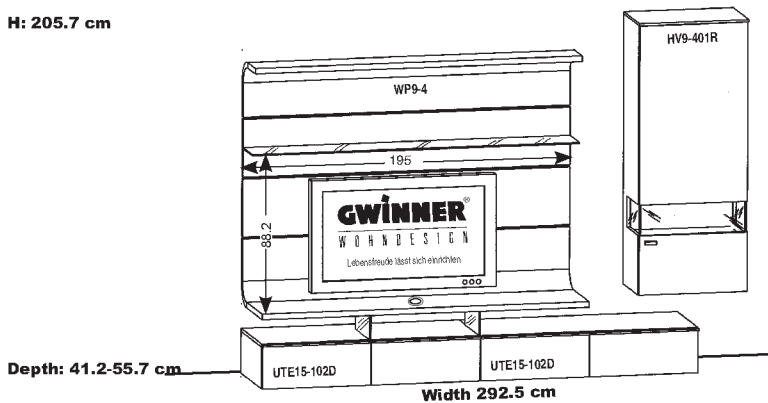
**Recommended accessories:** each €

Lighting	
4 LED spotlights for display units	LST2
1 LED light for TV niche	LB174
3 LED lights for panels	LSP1
1 transformer, 30 watt	LEVG30
El. storage compartment with remote control	LES65F

General accessories	
3 full-extension runners for base el.	VZ500
1-3 organisers for base element	OET65
4 contrast display-unit rear panels	RW15-65

**For article descriptions and information about energy classes, see Accessories on p. 26-27**

H: 205.7 cm



**Order no.** FE9 (as shown) FE9-SV (mirror-image)  
 PG 1 €  
 PG 2 €

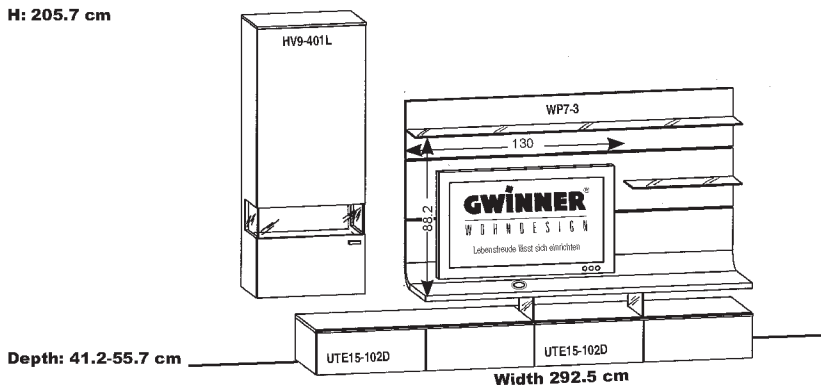
**Recommended accessories:** each €

Lighting	
1 LED spotlight for display unit	LST2
1 LED light for TV niche	LB174
3 LED lights for panels	LSP1
1 transformer, 15 watt	LEVG15
El. storage compartment with remote control	LES65F

General accessories	
4 full-extension runners for base el.	VZ500
1-4 organisers for base element	OET65
1 contrast display-unit rear panel	RW2-65

**For article descriptions and information about energy classes, see Accessories on p. 26-27**

H: 205.7 cm



**Order no.** FE10 (as shown) FE10-SV (mirror-image)  
 PG 1 €  
 PG 2 €

**Recommended accessories:** each €

Lighting	
1 LED spotlight for display unit	LST2
1 LED light for TV niche	LB174
1 transformer, 15 watt	LEVG15
El. storage compartment with remote control	LES65F

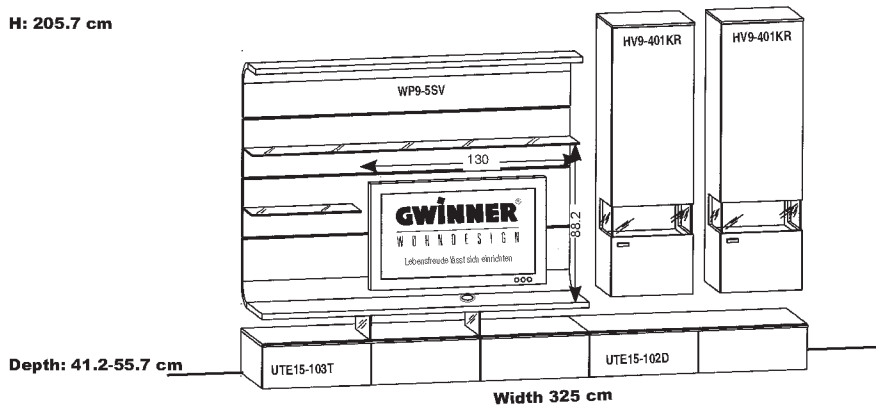
General accessories	
4 full-extension runners for base el.	VZ500
1-4 organisers for base element	OET65
1 contrast display-unit rear panel	RW2-65

**For article descriptions and information about energy classes, see Accessories on p. 26-27**

# Wall combinations with low base elements (1.5 incr.) Prices ex. lighting & accessories

Dimensions in cm directly beside the corresponding picture.

H: 205.7 cm



**Order no.** FE13 (as shown) FE13-SV (mirror-image)  
 PG 1 €  
 PG 2 €

**Recommended accessories:** each €

### Lighting

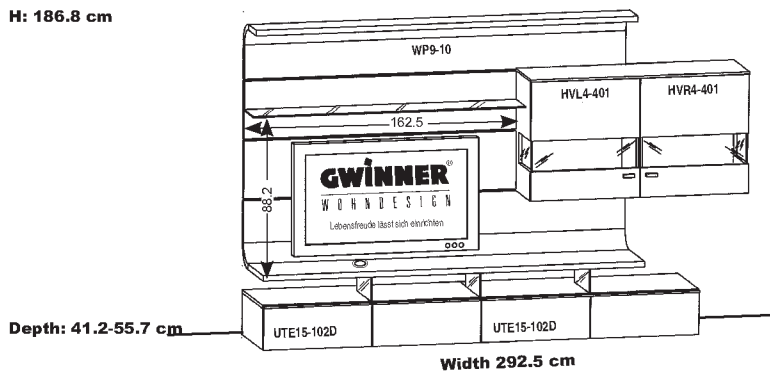
2 LED spotlights for display units	LST2
1 LED light for TV niche	LB174
3 LED lights for panels	LSP1
1 transformer, 30 watt	LEVG30
El. storage compartment with remote control	LES49F

### General accessories

5 full-extension runners for base el	VZ500
1-5 organisers for base element	OET65
2 contrast display-unit rear panels	RW2-49

**For article descriptions and information about energy classes, see Accessories on p. 26-27**

H: 186.8 cm



**Order no.** FE18 (as shown) FE18-SV (mirror-image)  
 PG 1 €  
 PG 2 €

**Recommended accessories:** each €

### Lighting

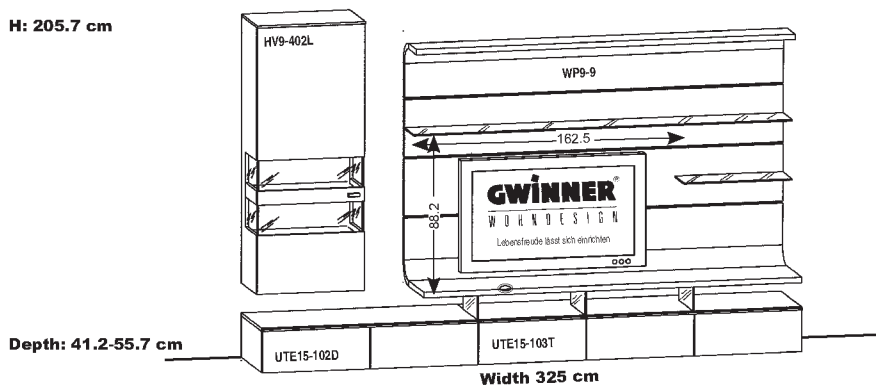
2 LED spotlights for display units	LST2
1 LED light for TV niche	LB174
4 LED lights for panels	LSP1
1 transformer, 15 watt	LEVG15
El. storage compartment with remote control	LES65F

### General accessories

4 full-extension runners for base el	VZ500
1-4 organisers for base element	OET65
2 contrast display-unit rear panels	RW2-65

**For article descriptions and information about energy classes, see Accessories on p. 26-27**

H: 205.7 cm



**Order no.** FE20 (as shown) FE20-SV (mirror-image)  
 PG 1 €  
 PG 2 €

**Recommended accessories:** each €

### Lighting

2 LED spotlights for display units	LST2
1 LED light for TV niche	LB174
4 LED lights for panels	LSP1
1 transformer, 15 watt	LEVG15
El. storage compartment with remote control	LES65F

### General accessories

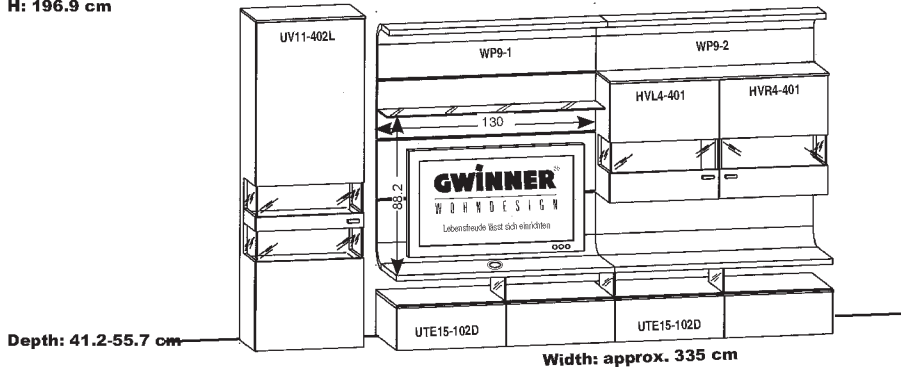
5 full-extension runners for base el	VZ500
1-5 organisers for base element	OET65
2 contrast display-unit rear panels	RW15-65

**For article descriptions and information about energy classes, see Accessories on p. 26-27**

# Wall combinations with low base elements (1.5 incr.) Prices ex. lighting & accessories

Dimensions in cm directly beside the corresponding picture.

H: 196.9 cm



Depth: 41.2-55.7 cm

Width: approx. 335 cm

Order no.

FE26 (as shown)

FE26-SV (mirror-image)

PG 1 €

PG 2 €

Recommended accessories: each €

### Lighting

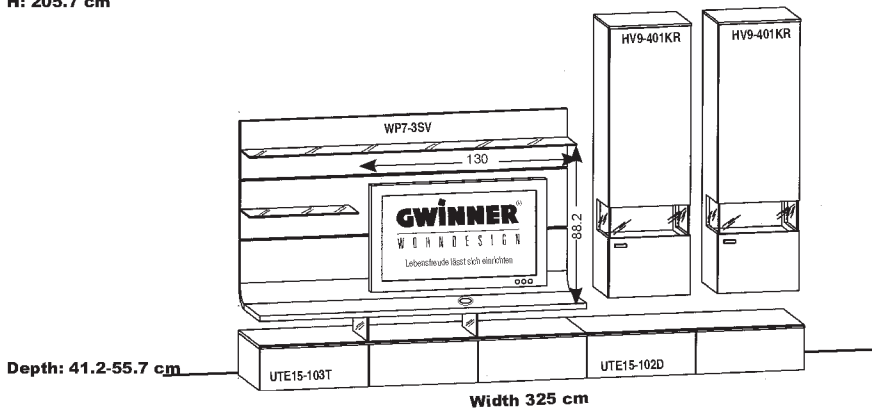
4 LED spotlights for display units	LST2
2 LED lights for TV niche	LB114
4 LED lights for panels	LSP1
1 transformer, 30 watt	LEVG30
El. storage compartment with remote control	LES65F

### General accessories

4 full-extension runners for base el.	VZ500
1-4 organisers for base element	OET65
2 contrast display-unit rear panels	RW2-65
2 contrast display-unit rear panels	RW15-65

For article descriptions and information about energy classes, see Accessories on p. 26-27

H: 205.7 cm



Depth: 41.2-55.7 cm

Width 325 cm

Order no.

FE31 (as shown)

FE31-SV (mirror-image)

PG 1 €

PG 2 €

Recommended accessories: each €

### Lighting

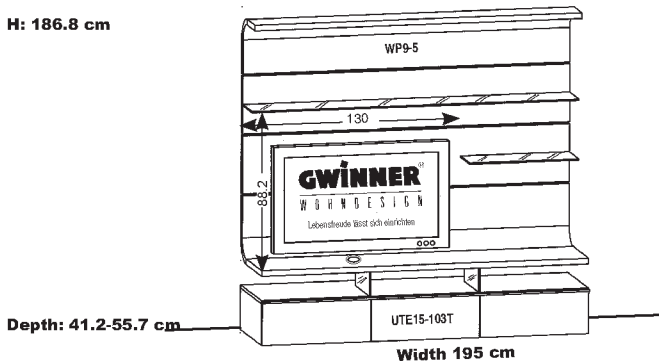
2 LED spotlights for display units	LST2
1 LED light for TV niche	LB174
1 transformer, 15 watt	LEVG15
El. storage compartment with remote control	LES49F

### General accessories

5 full-extension runners for base el	VZ500
1-5 organisers for base element	OET65
2 veneered display-unit rear panels	RW2-49

For article descriptions and information about energy classes, see Accessories on p. 26-27

H: 186.8 cm



Depth: 41.2-55.7 cm

Width 195 cm

Order no.

FE32 (as shown)

FE32-SV (mirror-image)

PG 1 €

PG 2 €

Recommended accessories: each €

### Lighting

1 LED light for TV niche	LB174
3 LED lights for panels	LSP1
1 transformer, 15 watt	LEVG15
1 remote control	FKS4

### General accessories

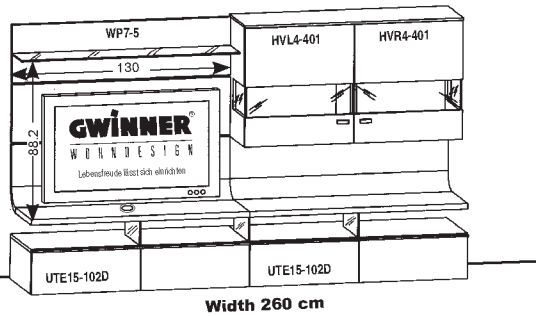
3 full-extension runners for base el.	VZ500
1-3 organisers for base element	OET65

For article descriptions and information about energy classes, see Accessories on p. 26-27

# Wall combinations with low base elements (1.5 incr.) Prices ex. lighting & accessories

Dimensions in cm directly beside the corresponding picture.

H: 152.9 cm



Depth: 41.2-55.7 cm

Width 260 cm

Order no.

FE35 (as shown)

FE35-SV (mirror-image)

PG 1 €

PG 2 €

Recommended accessories: each €

## Lighting

2 LED spotlights for display units	LST2
2 LED lights for TV niche	LB114
1 transformer, 15 watt	LEVG15
El. storage compartment with remote control	LES65F

## General accessories

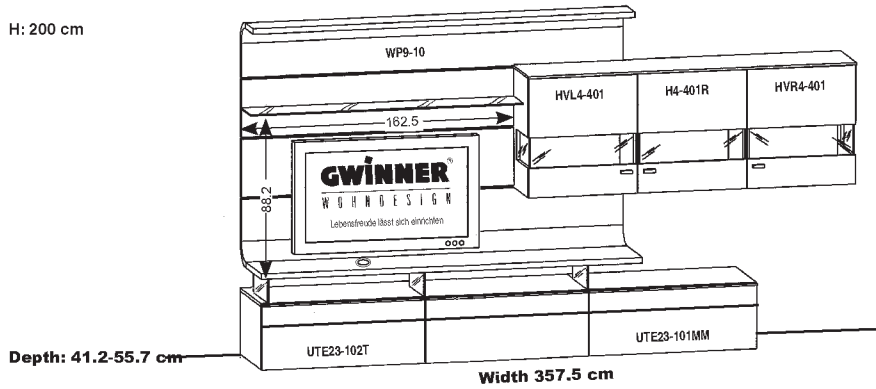
4 full-extension runners for base el.	VZ500
1-4 organisers for base element	OET65
2 contrast display-unit rear panels	RW2-65

**For article descriptions and information about energy classes, see Accessories on p. 26-27**

# Wall combinations with tall base elements (2.3 incr.) Prices ex. lighting & accessories

Dimensions in cm directly beside the corresponding picture.

H: 200 cm



**Order no.** FE201 (as shown) FE201-SV (mirror-image)  
 PG 1 €  
 PG 2 €

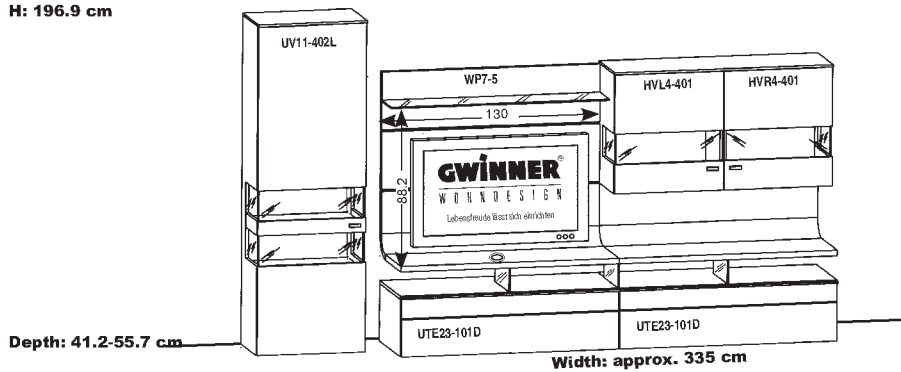
**Recommended accessories:** each €

Lighting	
3 LED spotlights for display units	LST2
1 LED light for TV niche	LB174
4 LED lights for panels	LSP1
1 transformer, 30 watt	LEVG30
El. storage compartment with remote control	LES65F

General accessories	
3 full-extension runners for base el.	VZ500
1-3 organisers for base element	ET2-98
3 contrast display-unit rear panels	RW2-65

**For article descriptions and information about energy classes, see Accessories on p. 26-27**

H: 196.9 cm



**Order no.** FE203 (as shown) FE203-SV (mirror-image)  
 PG 1 €  
 PG 2 €

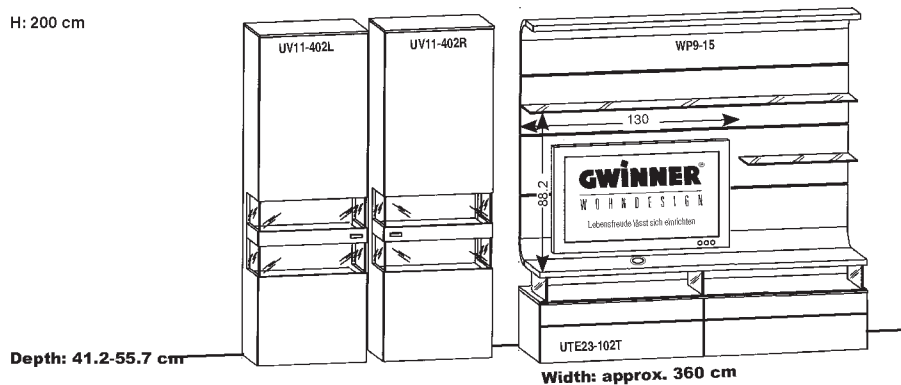
**Recommended accessories:** each €

Lighting	
4 LED spotlights for display units	LST2
2 LED lights for TV niche	LB114
1 transformer, 30 watt	LEVG30
El. storage compartment with remote control	LES65F

General accessories	
4 full-extension runners for base el.	VZ500
1-4 organisers for base element	ET2-65
2 contrast display-unit rear panels	RW15-65
2 contrast display-unit rear panels	RW2-65

**For article descriptions and information about energy classes, see Accessories on p. 26-27**

H: 200 cm



**Order no.** FE207 (as shown) FE207-SV (mirror-image)  
 PG 1 €  
 PG 2 €

**Recommended accessories:** each €

Lighting	
4 LED spotlights for display units	LST2
1 LED light for TV niche	LB174
3 LED lights for panels	LSP1
1 transformer, 30 watt	LEVG30
El. storage compartment with remote control	LES65F

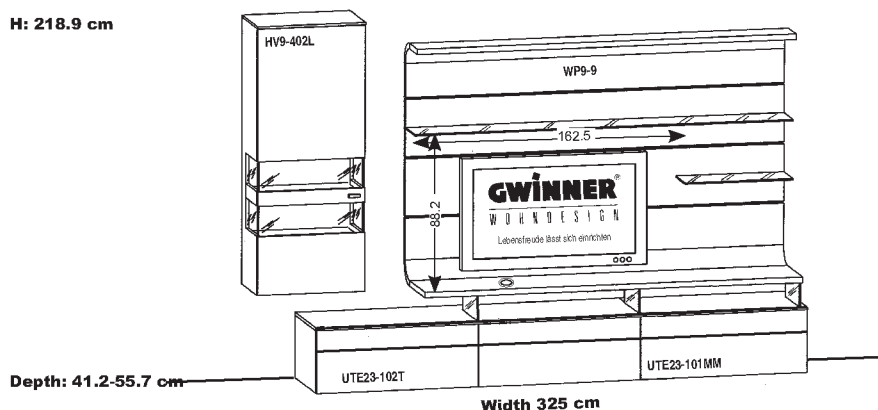
General accessories	
2 full-extension runners for base el.	VZ500
1-2 organisers for base element	ET2-98
4 contrast display-unit rear panels	RW15-65

**For article descriptions and information about energy classes, see Accessories on p. 26-27**

# Wall combinations with tall base elements (2.3 incr.) Prices ex. lighting & accessories

Dimensions in cm directly beside the corresponding picture.

H: 218.9 cm



**Order no.** FE220 (as shown) FE220-SV (mirror-image)  
 PG 1 €  
 PG 2 €

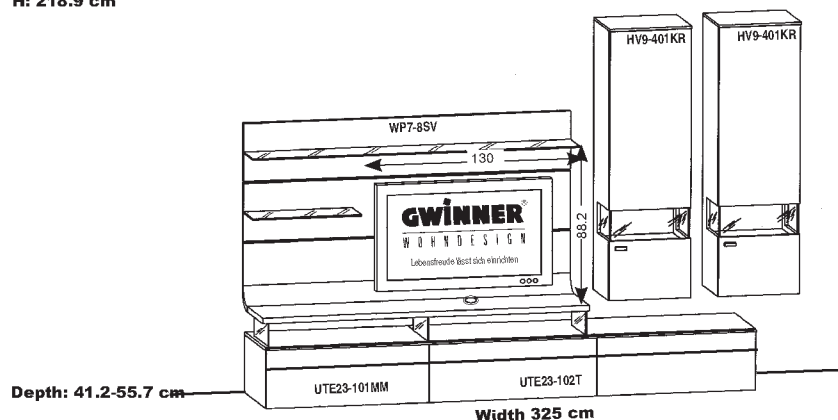
**Recommended accessories:** each €

Lighting	
2 LED spotlights for display units	LST2
1 LED light for TV niche	LB174
4 LED lights for panels	LSP1
1 transformer, 15 watt	LEVG15
El. storage compartment with remote control	LES65F

General accessories	
3 full-extension runners for base el.	VZ500
1-3 organisers for base element	ET2-98
2 contrast display-unit rear panels	RW15-65

**For article descriptions and information about energy classes, see Accessories on p. 26-27**

H: 218.9 cm



**Order no.** FE231 (as shown) FE231-SV (mirror-image)  
 PG 1 €  
 PG 2 €

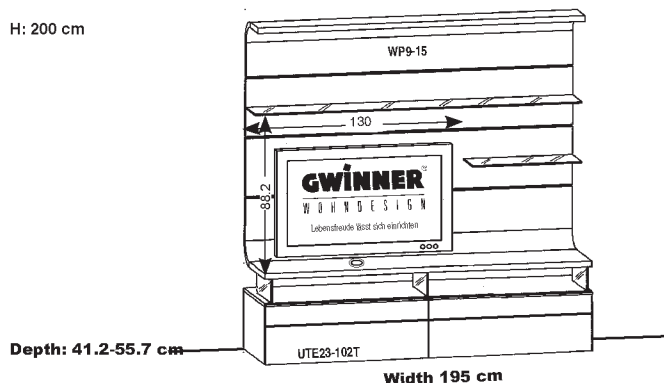
**Recommended accessories:** each €

Lighting	
2 LED spotlights for display units	LST2
1 LED light for TV niche	LB174
1 transformer, 15 watt	LEVG15
El. storage compartment with remote control	LES49F

General accessories	
3 full-extension runners for base el.	VZ500
1-3 organisers for base element	ET2-98
2 contrast display-unit rear panels	RW2-49

**For article descriptions and information about energy classes, see Accessories on p. 26-27**

H: 200 cm



**Order no.** FE232 (as shown) FE232-SV (mirror-image)  
 PG 1 €  
 PG 2 €

**Recommended accessories:** each €

Lighting	
1 LED light for TV niche	LB174
3 LED lights for panels	LSP1
1 transformer, 15 watt	LEVG15
1 remote control	FKS4

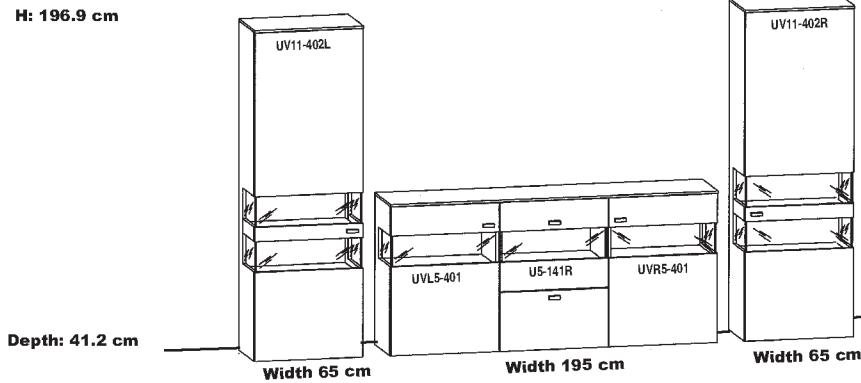
General accessories	
2 full-extension runners for base el.	VZ500
1-2 organisers for base element	ET2-98

**For article descriptions and information about energy classes, see Accessories on p. 26-27**

# Combinations

Prices excluding lighting and accessories

Dimensions in cm directly beside the corresponding picture.



**Order no.** FE61  
 PG 1 €  
 PG 2 €

**Recommended accessories:** each €

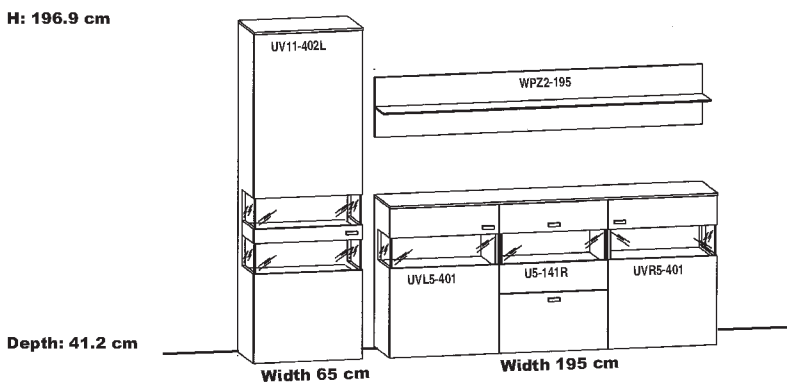
### Lighting

7 LED spotlights for display units	LST2
1 transformer, 30 watt	LEVG30
El. storage compartment with remote control	LES65F

### General accessories

1 full-extension runner for sideboard	VZ320
3 veneered display-unit rear panels	RW2-65
4 veneered display-unit rear panels	RW15-65

**For article descriptions and information about energy classes, see Accessories on p. 26-27**



**Order no.** FE63  
 PG 1 €  
 PG 2 €

**Recommended accessories:** each €

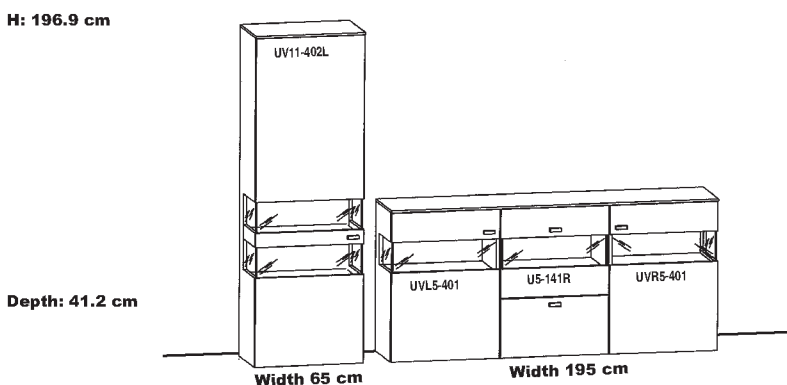
### Lighting

5 LED spotlights for display units	LST2
1 transformer, 15 watt	LEVG15
El. storage compartment with remote control	LES65F

### General accessories

1 full-extension runner for sideboard	VZ320
3 veneered display-unit rear panels	RW2-65
2 veneered display-unit rear panels	RW15-65

**For article descriptions and information about energy classes, see Accessories on p. 26-27**



**Order no.** FE64  
 PG 1 €  
 PG 2 €

**Recommended accessories:** each €

### Lighting

5 LED spotlights for display units	LST2
1 transformer, 15 watt	LEVG15
El. storage compartment with remote control	LES65F

### General accessories

1 full-extension runner for sideboard	VZ320
3 veneered display-unit rear panels	RW2-65
2 veneered display-unit rear panels	RW15-65

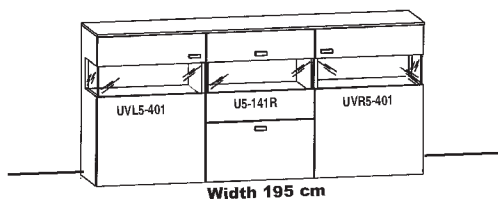
**For article descriptions and information about energy classes, see Accessories on p. 26-27**

# Sideboard & highboard combinations Depth 41.2 cm Prices ex. lighting

Dimensions in cm directly beside the corresponding picture.

H: 91.3 cm

Depth: 41.2 cm

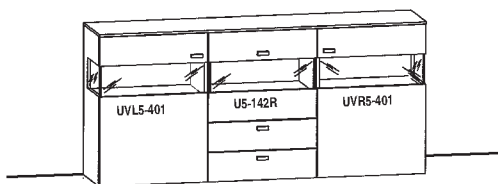


Width 195 cm

**Order no.** FE41  
PG 1 €  
PG 2 €

H: 91.3 cm

Depth: 41.2 cm

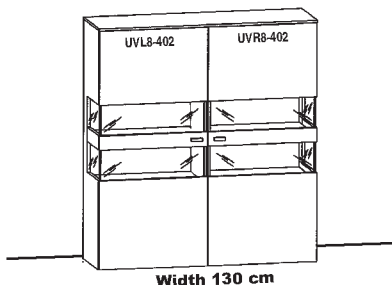


Width 195 cm

**Order no.** FE42  
PG 1 €  
PG 2 €

H: 144.1 cm

Depth: 41.2 cm

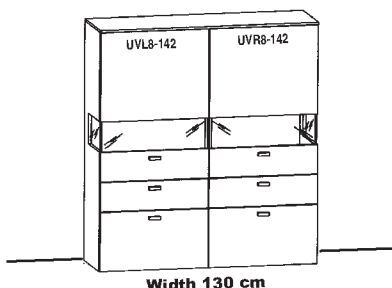


Width 130 cm

**Order no.** FE51  
PG 1 €  
PG 2 €

H: 144.1 cm

Depth: 41.2 cm



Width 130 cm

**Order no.** FE52  
PG 1 €  
PG 2 €

**Recommended accessories:** each €

### Lighting

3 LED spotlights for display units LST2  
1 transformer, 15 watt LEVG15  
El. storage compartment with remote control LES65F

### General accessories

1 full-extension runner for sideboard VZ320  
3 veneered display-unit rear panels RW2-65

**For article descriptions and information about energy classes, see Accessories on p. 26-27**

**Recommended accessories:** each €

### Lighting

3 LED spotlights for display units LST2  
1 transformer, 15 watt LEVG15  
El. storage compartment with remote control LES65F

### General accessories

2 full-extension runners for sideboard VZ320  
3 veneered display-unit rear panels RW2-65

**For article descriptions and information about energy classes, see Accessories on p. 26-27**

**Recommended accessories:** each €

### Lighting

4 LED spotlights for display units LST2  
1 transformer, 15 watt LEVG15  
El. storage compartment with remote control LES65F

### General accessories

4 veneered display-unit rear panels RW15-65

**For article descriptions and information about energy classes, see Accessories on p. 26-27**

**Recommended accessories:** each €

### Lighting

2 LED spotlights for display units LST2  
1 transformer, 15 watt LEVG15  
El. storage compartment with remote control LES65F

### General accessories

4 full-extension runners for sideboard VZ320  
2 veneered display-unit rear panels RW2-65

**For article descriptions and information about energy classes, see Accessories on p. 26-27**

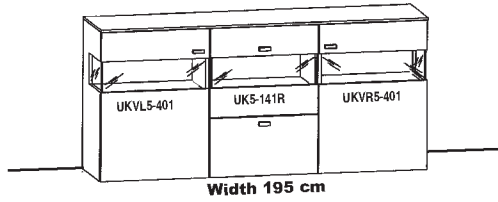
# Sideboard combinations

Depth 49.2 cm Prices excluding lighting

Dimensions in cm directly beside the corresponding picture.

H: 91.3 cm

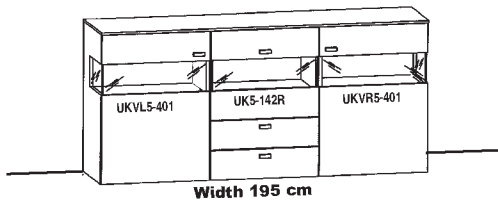
Depth: 49.2 cm



**Order no.** FE241  
 PG 1 €  
 PG 2 €

H: 91.3 cm

Depth: 49.2 cm



**Order no.** FE242  
 PG 1 €  
 PG 2 €

**Recommended accessories:** each €

### Lighting

- 3 LED spotlights for display units LST2
- 1 transformer, 15 watt LEVG15
- El. storage compartment with remote control LES65KF

### General accessories

- 1 full-extension runner for sideboard VZ400
- 3 veneered display-unit rear panels RW2-65

**For article descriptions and information about energy classes, see Accessories on p. 26-27**

**Recommended accessories:** each €

### Lighting

- 3 LED spotlights for display units LST2
- 1 transformer, 15 watt LEVG15
- El. storage compartment with remote control LES65KF

### General accessories

- 2 full-extension runners for sideboard VZ400
- 3 veneered display-unit rear panels RW2-65

**For article descriptions and information about energy classes, see Accessories on p. 26-27**

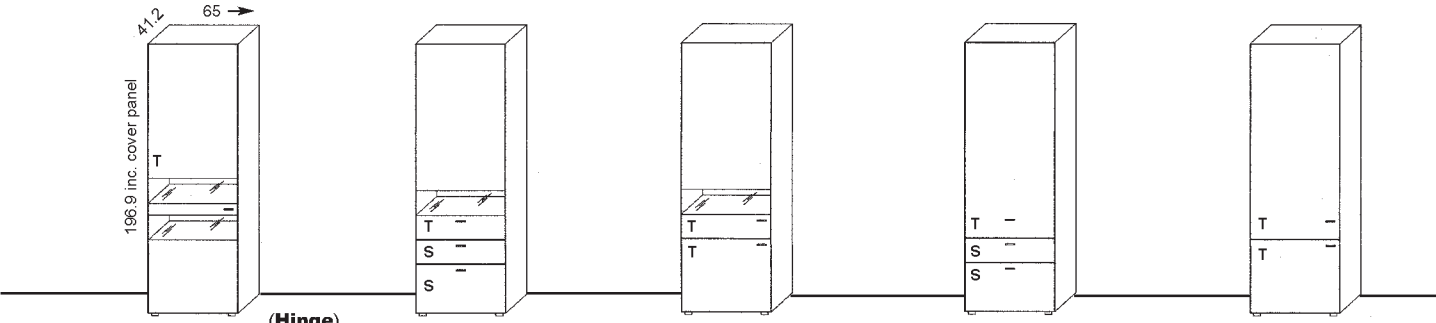
# Planning system for individual models

Dimensions in cm directly beside the corresponding picture.

**T = Doors** **S = Drawers**

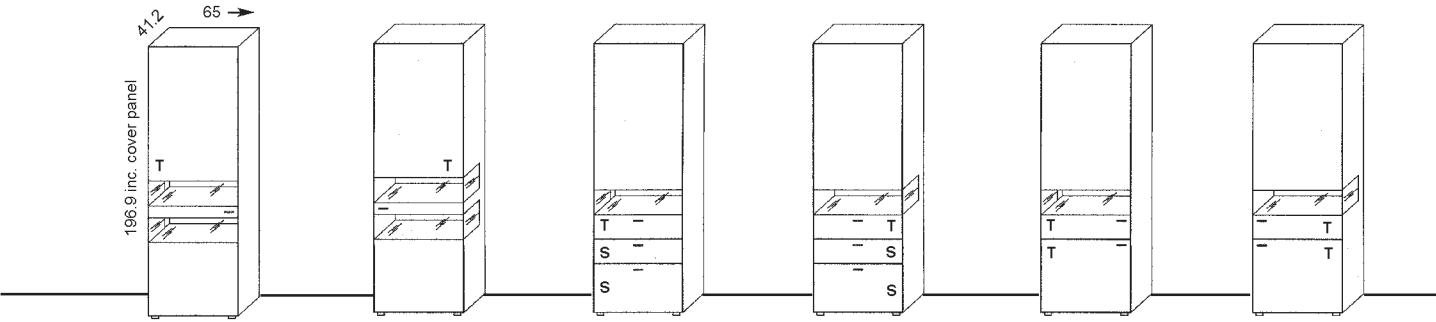
**Planning information:** All display-unit rear panels are delivered in the carcass colour as standard, for display-unit rear panels in a contrast finish, see Accessories on page 27.

## Elements, 11 increments without side glazing



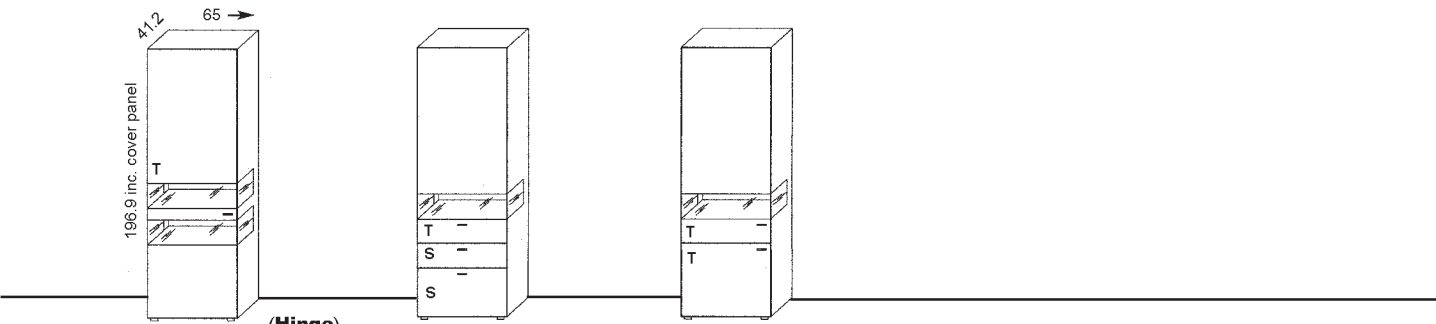
<b>Order no.</b> U11-402L	(Hinge) (left)	<b>U11-142L</b>	<b>U11-342L</b>	<b>U11-132L</b>	<b>U11-302L</b>
<b>Order no.</b> U11-402R	(right)	<b>U11-142R</b>	<b>U11-342R</b>	<b>U11-132R</b>	<b>U11-302R</b>
PG 1 €					
PG 2 €					

## Elements, 11 increments with side glazing on one side



<b>Order no.</b> UVL11-402	<b>UVR11-402</b>	<b>UVL11-142</b>	<b>UVR11-142</b>	<b>UVL11-342</b>	<b>UVR11-342</b>
PG 1 €					
PG 2 €					

## Elements, 11 increments with side glazing on both sides



<b>Order no.</b> UV11-402L	(Hinge) (left)	<b>UV11-142L</b>	<b>UV11-342L</b>
<b>Order no.</b> UV11-402R	(right)	<b>UV11-142R</b>	<b>UV11-342R</b>
PG 1 €			
PG 2 €			

# Planning system for individual models

Dimensions in cm directly beside the corresponding picture.

For lighting and accessories, see pages 26-27

All elements are supplied with a 13-mm-thick cover panel as standard. The cover panel can be manufactured from single-piece lengths of up to 260 cm, if requested.

## Elements, 8 increments without side glazing

**Order no. U8-402L** (Hinge) (left)      **U8-142L**      **U8-342L**      **U8-132L**

**Order no. U8-402R** (right)      **U8-142R**      **U8-342R**      **U8-132R**      **U8-302R**

PG 1 €  
PG 2 €

## Elements, 8 increments with side glazing on one side

**Order no. UVL8-402**      **UVR8-402**      **UVL8-142**      **UVR8-142**      **UVL8-342**      **UVR8-342**

PG 1 €  
PG 2 €

## Elements, 8 increments with side glazing on both sides

**Order no. UV8-402L** (Hinge) (left)      **UV8-142L**      **UV8-342L**

**Order no. UV8-402R** (right)      **UV8-142R**      **UV8-342R**

PG 1 €  
PG 2 €

## Wall panels, 2 increments with glass shelf

↓ The load-bearing capacity is 6 kg/linear metre when mounted to solid brickwork in accordance with the manufacturer's instructions



**Order no. WP22-130**      **WP22-195**

PG 1 €  
PG 2 €

# Planning system for individual models

Dimensions in cm directly beside the corresponding picture.

**T = Doors S = Drawers**

**Planning information:** All display-unit rear panels are delivered in the carcass colour as standard, for display-unit rear panels in a contrast finish, see Accessories on page 27.

## Elements, 5 increments, 41.2 cm deep without side glazing

**Order no.** U5-401L (Hinge) (left)      U5-141L      U5-142L      U5-301L      U5-131L  
**Order no.** U5-401R (right)      U5-141R      U5-142R      U5-301R      U5-131R  
 PG 1 €  
 PG 2 €

## Elements, 5 increments, 41.2 cm deep without side glazing

**Order no.** U5-103      U5-104      U5-105  
 PG 1 €  
 PG 2 €

## Elements, 5 increments, 41.2 cm deep with side glazing on one side

**Order no.** UVL5-401      UVR5-401      UVL5-141      UVR5-141      UVL5-142      UVR5-142  
 PG 1 €  
 PG 2 €

## Elements, 5 increments, 41.2 cm deep with side glazing on both sides

**Order no.** UV5-401L (Hinge) (left)      UV5-141L      UV5-142L  
**Order no.** UV5-401R (right)      UV5-141R      UV5-142R  
 PG 1 €  
 PG 2 €

# Planning system for individual models

Dimensions in cm directly beside the corresponding picture.

For lighting and accessories, see pages 26-27

All elements are supplied with a 13-mm-thick cover panel as standard. The cover panel can be manufactured from single-piece lengths of up to 260 cm, if requested.

## NEW Elements, 5 increments, 49.2 cm deep without side glazing

<b>Order no.</b> UK5-401L PG 1 € PG 2 €	(Hinge) (left)	<b>UK5-141L</b>	<b>UK5-142L</b>	<b>UK5-301L</b>	<b>UK5-131L</b>
<b>Order no.</b> UK5-401R PG 1 € PG 2 €	(right)	<b>UK5-141R</b>	<b>UK5-142R</b>	<b>UK5-301R</b>	<b>UK5-131R</b>

## NEW Elements, 5 increments, 49.2 cm deep without side glazing

<b>Order no.</b> UK5-103 PG 1 € PG 2 €	<b>UK5-104</b>	<b>UK5-105</b>
--	----------------	----------------

## NEW Elements, 5 increments, 49.2 cm deep with side glazing on one side

<b>Order no.</b> UKVL5-401 PG 1 € PG 2 €	<b>UKVR5-401</b>	<b>UKVL5-141</b>	<b>UKVR5-141</b>	<b>UKVL5-142</b>	<b>UKVR5-142</b>
--	------------------	------------------	------------------	------------------	------------------

## NEW Elements, 5 increments, 49.2 cm deep with side glazing on both sides

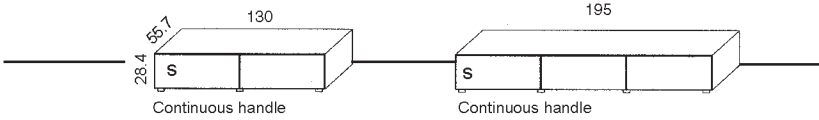
<b>Order no.</b> UKV5-401L PG 1 € PG 2 €	(Hinge) (left)	<b>UKV5-141L</b>	<b>UKV5-142L</b>
<b>Order no.</b> UKV5-401R PG 1 € PG 2 €	(right)	<b>UKV5-141R</b>	<b>UKV5-142R</b>

# Planning system for individual models

Dimensions in cm directly beside the corresponding picture.

The 1.5-increment base elements are supplied with continuous handles to open 2 or 3 drawers as standard. If required, it is possible to order individual handles for each drawer (65 cm) at a surcharge.

## Base elements, 1.5 increments



**Surcharge for individual handles**  
Per handle

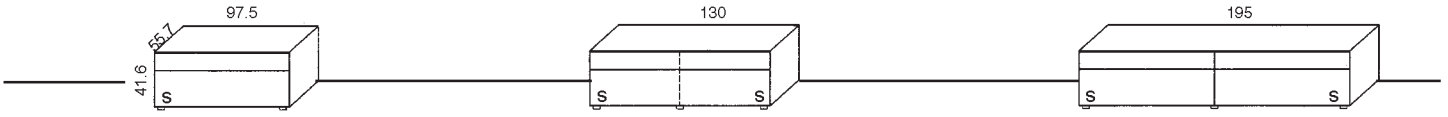
**Order no.** UTE15-102D  
PG 1 €  
PG 2 €

UTE15-103T

GR646

## NEW Base elements, 2.3 increments

Front piece runs through drawers, divided into 2 65-cm sections.



**Order no.** UTE23-101M  
PG 1 €  
PG 2 €

UTE23-101D

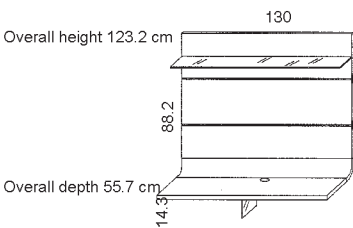
UTE23-102T

**Planning information:** Standard cable feed-throughs are not required. As an alternative, individual positions are possible, as long as they are constructively feasible. Additional **DL60** cable feed-throughs are charged at € .

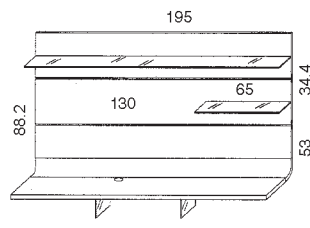
If the device niche height of 14.3 cm is insufficient, taller glass supports measuring 19.3 cm can be ordered. For each support, the applicable surcharge is € .

○ = Cable feed-through

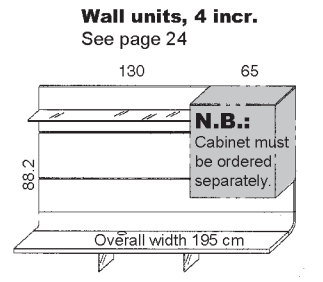
## Wall panels, 7 increments



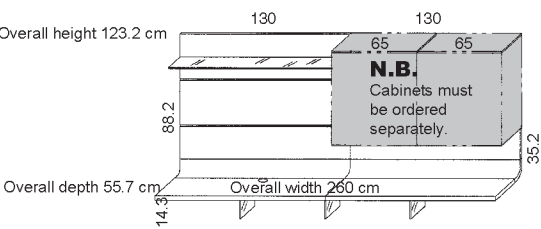
**Order no.** WP7-1  
PG 1 €  
PG 2 €



(as shown) WP7-3  
(mirror-image) WP7-3SV

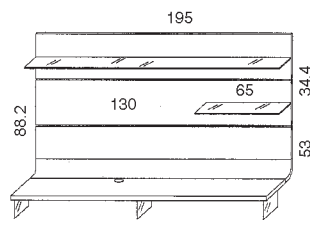


(as shown) WP7-4  
(mirror-image) WP7-4SV



**Order no.** WP7-5  
PG 1 €  
PG 2 €

WP7-5SV



(as shown) WP7-8  
(mirror-image) WP7-8SV

**NEW**

# Planning system for individual models

**Planning information:** If glass shelves are not required for panels, please state this clearly on the order so that this can be taken into consideration when manufacturing the pieces.

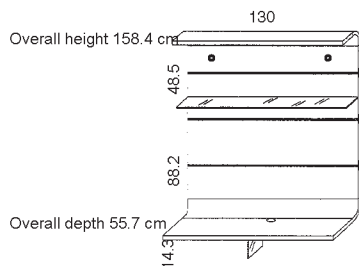
**Load-bearing capacity of the wall panels** 45 kg when mounted to solid brickwork in accordance with the manufacturer's instructions

**Load-bearing capacity of glass panel shelves** The load-bearing capacity is 6 kg/linear metre when mounted to solid brickwork in accordance with the manufacturer's instructions

○ = recommended position for LED panel lights **LSP1**

See Accessories on page 26.

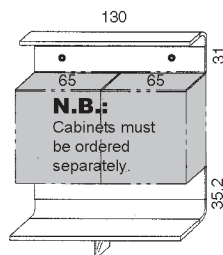
## Wall panels, 9 increments



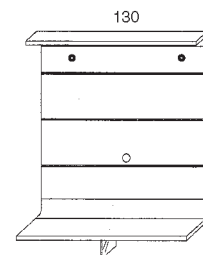
**Order no. WP9-1**

PG 1 €

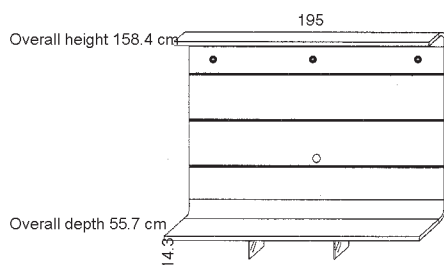
PG 2 €



**WP9-2**



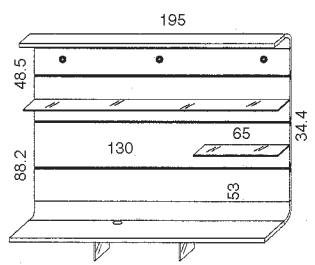
**WP9-12**



**Order no. WP9-4**

PG 1 €

PG 2 €

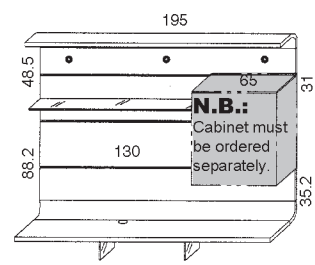


(as shown)

(mirror-image)

**WP9-5**

**WP9-5SV**

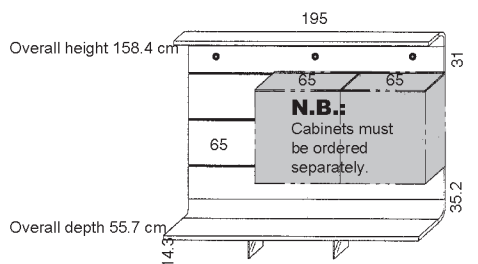


(as shown)

(mirror-image)

**WP9-6**

**WP9-6SV**



(as shown)

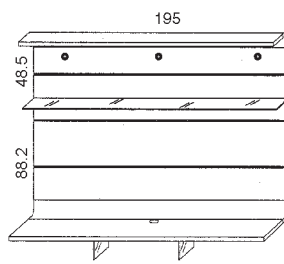
(mirror-image)

**Order no. WP9-7**

**WP9-7SV**

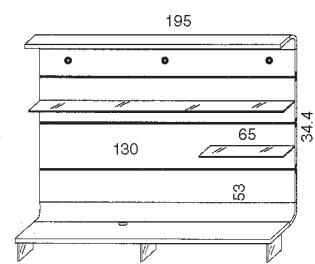
PG 1 €

PG 2 €



**WP9-14**

**NEW**

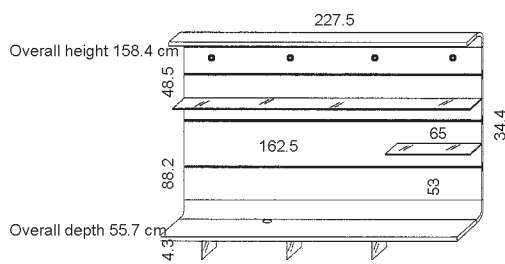


(as shown)

(mirror-image)

**WP9-15**

**WP9-15SV**



(as shown)

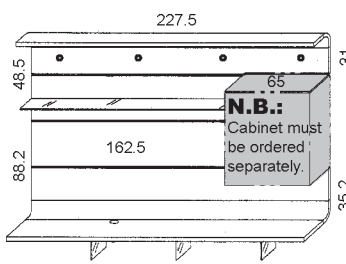
(mirror-image)

**Order no. WP9-9**

**WP9-9SV**

PG 1 €

PG 2 €

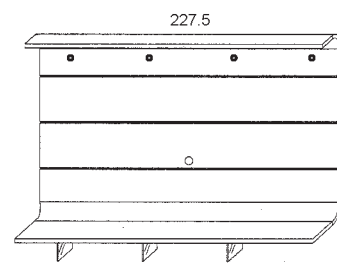


(as shown)

(mirror-image)

**WP9-10**

**WP9-10SV**



(as shown)

(mirror-image)


**WP9-11**

**WP9-11SV**

# Planning system for individual models

Dimensions in cm directly beside the corresponding picture.

For lighting and accessories, see pages 26-27

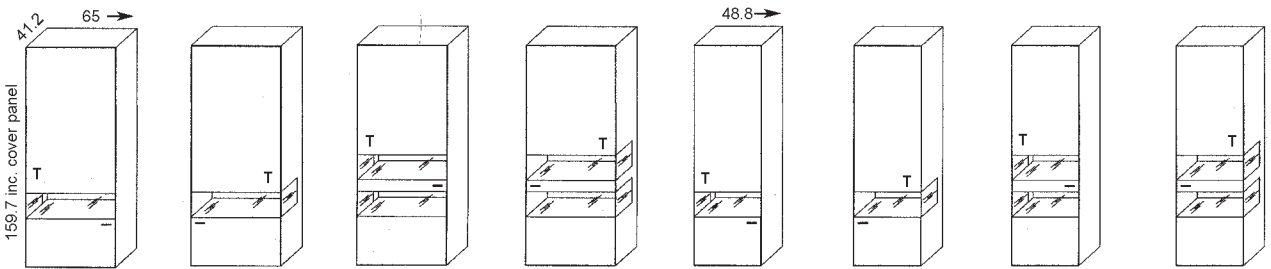
 The load-bearing capacity of all wall units is 12 kg per shelf when mounted to solid brickwork in accordance with the manufacturer's instructions.

## Wall units, 9 increments without side glazing



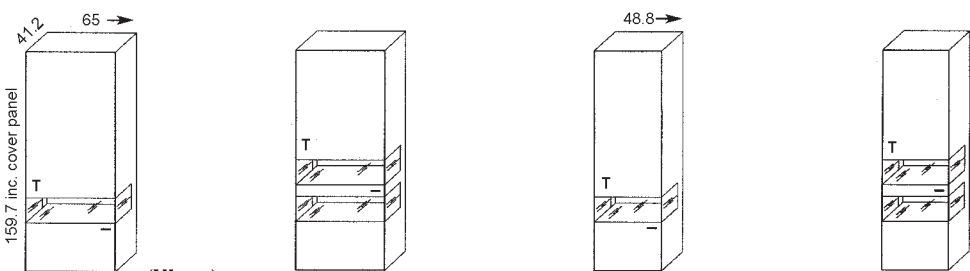
<b>Order no.</b> H9-401L	(Hinge (left))	<b>H9-402L</b>	<b>H9-401KL</b>	<b>H9-402KL</b>
<b>Order no.</b> H9-401R	(right)	<b>H9-402R</b>	<b>H9-401KR</b>	<b>H9-402KR</b>
<b>PG 1</b> €				
<b>PG 2</b> €				

## Wall units, 9 increments with side glazing on one side



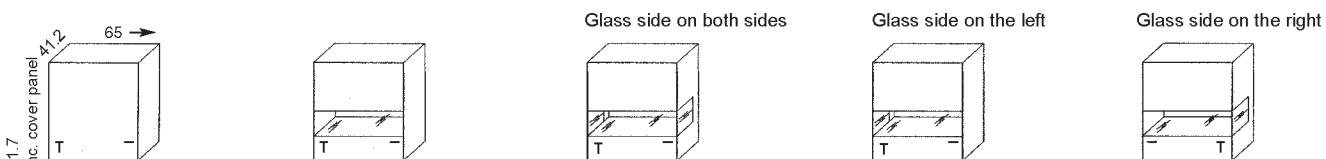
<b>Order no.</b> HVL9-401	<b>HVR9-401</b>	<b>HVL9-402</b>	<b>HVR9-402</b>	<b>HVL9-401K</b>	<b>HVR9-401K</b>	<b>HVL9-402K</b>	<b>HVR9-402K</b>
<b>PG 1</b> €							
<b>PG 2</b> €							

## Wall units, 9 increments with side glazing on both sides



<b>Order no.</b> HV9-401L	(Hinge (left))	<b>HV9-402L</b>	<b>HV9-401KL</b>	<b>HV9-402KL</b>
<b>Order no.</b> HV9-401R	(right)	<b>HV9-402R</b>	<b>HV9-401KR</b>	<b>HV9-402KR</b>
<b>PG 1</b> €				
<b>PG 2</b> €				

## Wall units, 4 increments to be positioned freely or for panels



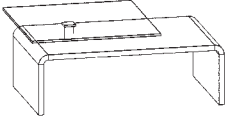
<b>Order no.</b> H4-301L	(Hinge (left))	<b>H4-401L</b>	<b>HV4-401L</b>	<b>HVL4-401</b>	<b>HVR4-401</b>
<b>Order no.</b> H4-301R	(right)	<b>H4-401R</b>	<b>HV4-401R</b>		
<b>PG 1</b> €					
<b>PG 2</b> €					

# Coffee tables, dining tables and chairs

For the formal coffee tables, dining tables and chairs that match Gwinner models, please see our comprehensive coffee table, dining table and chair collections in the most up-to-date type lists.

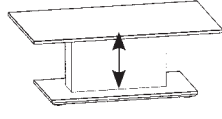
## Examples from Gwinner's broad range of coffee tables

Movable glass panel

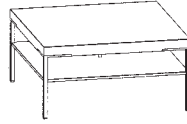


**CT406-114D**

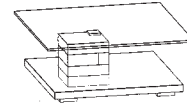
Fixed and height-adjustable



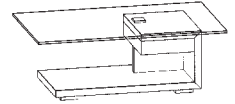
**CT...F**  
Available in 3 sizes



**CT501...**  
Available in 4 sizes



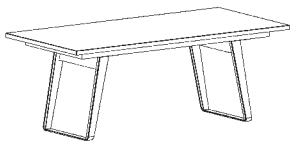
**CT400...**  
Available in 2 sizes



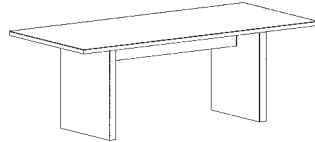
**CT404...**  
Available in 2 sizes

Please see the current Gwinner coffee table list for more coffee table designs, the available sizes and finishes. This list also contains descriptions and prices for each model.

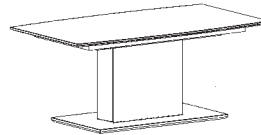
## Examples from Gwinner's broad range of dining tables



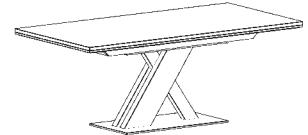
**ET570**



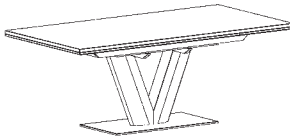
**ET550**



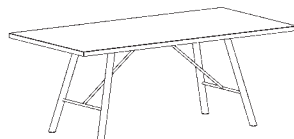
**ET592**



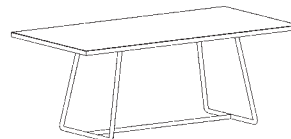
**ET612**



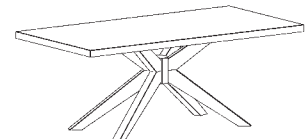
**ET632**



**ET650**



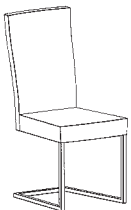
**ET670**



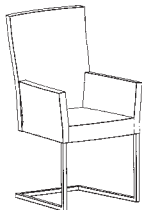
**ET790**

Please see the current Gwinner dining table list for more dining table designs, the available sizes and finishes. This list also contains descriptions and prices for each model.

## Examples from Gwinner's broad range of chairs



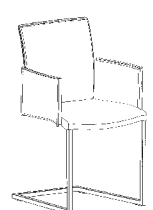
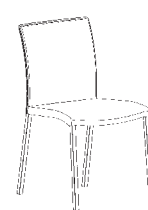
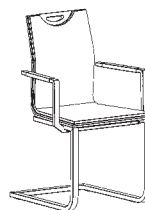
**Eva**



**Lena**

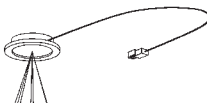
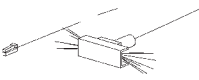



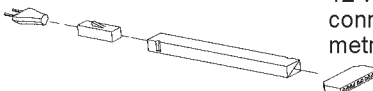
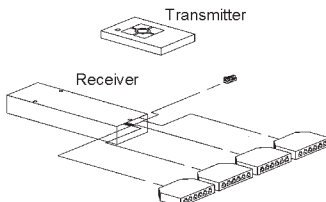
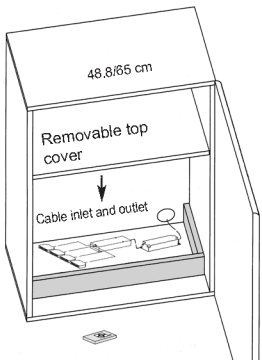


**Jule**

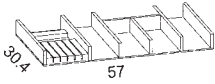
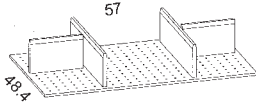


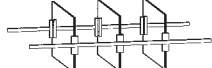
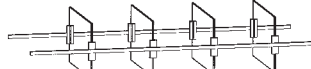
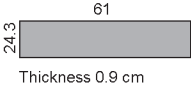
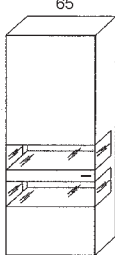
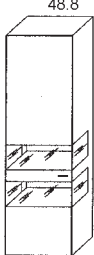
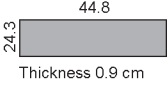
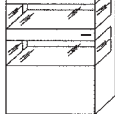
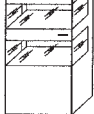
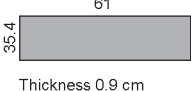
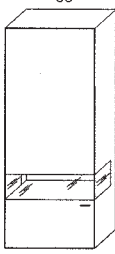

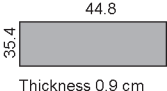
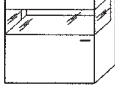
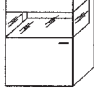


Please see the current Gwinner chair list for more chair designs, the available sizes and finishes. This list also contains descriptions and prices for each model.

# Accessories

Article	Order no.	€	Description
<b>Lighting and switches</b>			
<b>Flush-mounted LED spotlight</b>	LST2		 <p>For display units. 12 volt/2.6 watt, concealed cable duct, length: 4 metres. Only available with LED transformer.</p>
<b>LED light for panels</b>	LSP1		 <p>Cable length: approx. 4 metres. Transformer required. 12 volt/1 watt.</p> <p>These lights are fitted with <b>A++</b> to <b>A</b> LED bulbs, based on a scale of <b>A++</b>(most efficient) to <b>E</b> (least efficient). The bulbs cannot be replaced.</p>
<b>LED lighting for 130-cm-wide panels</b>	LB114		 <p>1 LED light, length: 114 cm, cable length: approx. 4 metres. Transformer required. 12 volt/3.3 watt.</p> <p>These lights are fitted with <b>A++</b> to <b>A</b> LED bulbs, based on a scale of <b>A++</b>(most efficient) to <b>E</b> (least efficient). The bulbs can be replaced.</p>
<b>LED lighting for 195-cm- and 227.5-cm-wide panels</b>	LB174		 <p>1 LED light, length: 174 cm, cable length: approx. 4 metres. Transformer required. 12 volt/5.1 watt.</p> <p>These lights are fitted with <b>A++</b> to <b>A</b> LED bulbs, based on a scale of <b>A++</b>(most efficient) to <b>E</b> (least efficient). The bulbs in these lights cannot be replaced.</p>
<b>LED transformer 15 watt</b>	LEVG15		 <p>12 volt/15 watt, suitable for max. 6 connections. Cable length: approx. 5 metres, switch on the supply cable.</p>
<b>LED transformer 30 watt</b>	LEVG30		 <p>12 volt/30 watt, suitable for max. 10 connections. Cable length: approx. 5 metres, switch on the supply cable.</p>
<b>Radio remote control for LED lighting</b>	FKS4		 <p>A maximum of four power circuits can be switched and dimmed using the remote control. Six light fixtures can be included in each power circuit. Normally, a 15-watt <b>LEVG15</b> transformer is sufficient, but if the connected light fixtures require more than 15 watt in total, please use the <b>LEVG30</b> transformer with 30 watt.</p>
<b>Electrical storage compartment with radio remote control</b>  Fitted behind  65-cm-wide doors for carcass depths of 41.2 cm  48.8-cm-wide doors for carcass depths of 41.2 cm  65-cm-wide doors for carcass depths of 49.2 cm	LES65F  LES49F  LES65KF		 <p>Please specify the element in which the electrical storage compartment should be fitted. The integrated radio remote control has four connections. A maximum of four power circuits can be switched and dimmed. As the top cover is a removable wooden shelf, the full depth of the unit can still be used.</p>
<b>Wooden shelves</b>			
Wooden shelf for 65-cm-wide types at depths of 41.2 cm	FA65		Additional wooden shelf behind doors, 61.1 x 33 x 1.9 cm
Wooden shelf for 48.8-cm-wide types at depths of 41.2 cm	FA49		Additional wooden shelf behind doors, 44.9 x 33 x 1.9 cm
Wooden shelf for 65-cm-wide types at depths of 49.2 cm	FAK65		Additional wooden shelf behind doors, 61.1 x 41 x 1.9 cm

# Accessories

Article	Order no.	€	Description
<b>Drawers: Special equipment</b>			
Full-extension runner surcharge	VZ320 VZ400 VZ500		For 41.2-cm-deep elements. For 49.2-cm-deep sideboard elements. For deep base elements.
Cutlery organiser for 65-cm drawers	BE65M		 For 6-piece cutlery set, with knife block. Grey lacquer finish. Width 57 cm, Depth 30.4 cm Not suitable for deep base elements.
Organiser	OET65		 For 65-cm-wide base-element drawers – 48.4 cm x 57 cm. Solid beech finish, grey lacquer - interior compartments are adjustable using pre-drilled holes. (with 2 longitudinal and 2 transverse dividers)
<b>Organiser</b> for 65-cm-wide drawers in 41.2-cm-deep elements	E1-65		 The 3 glass transverse divider are fixed at the front and back, but the distances between the dividers can be adjusted.
<b>Organiser</b> for 65-cm-wide drawers in 49.2-cm-deep elements	EK1-65		 The 3 glass transverse divider are fixed at the front and back, but the distances between the dividers can be adjusted.
<b>Organiser</b> for 65-cm-wide base-element drawers	ET2-65		 The 3 glass transverse divider are fixed at the front and back, but the distances between the dividers can be adjusted.
<b>Organiser</b> for 97.5-cm-wide base-element drawers	ET2-98		 The 4 glass transverse divider are fixed at the front and back, but the distances between the dividers can be adjusted.
<b>Display-unit rear panels in contrast finish</b>			
Display-unit rear panel in contrast finish for 65-cm-wide display units with 2 glass niches	RW15-65	/Item	 61 24.3 Thickness 0.9 cm  65  48.8
Display-unit rear panel in contrast finish for 48.8-cm-wide display units with 2 glass niches	RW15-49	/Item	 44.8 24.3 Thickness 0.9 cm  RW15-65  RW15-49
Display-unit rear panel in contrast finish for 65-cm-wide display units with 1 glass niche	RW2-65	/Item	 61 35.4 Thickness 0.9 cm  65  48.8
Display-unit rear panel in contrast finish for 48.8-cm-wide display units with 1 glass niche	RW2-49	/Item	 44.8 35.4 Thickness 0.9 cm  RW2-65  RW2-49
<b>Panels</b>			
Panels, all types of wood and lacquers on one side	BL19E	/m <sup>2</sup>	19-mm-thick, surface-treated inc. required edges. Counter-veneered on the rear. Veneer direction specified. <b>max. piece 250/60 cm</b>
Panels, all types of wood and lacquers on both sides	BL19B	/m <sup>2</sup>	As above, but with the same finish on both sides. <b>max. piece 250/60 cm</b>
<b>The surcharge for panels in oak timber or knotty walnut is 50%. The minimum price per panel is €</b>			

A minimum-charge surcharge of € 24,- will be added to all orders worth up to € 158,-.

**GWINNER<sup>®</sup>**  
LEBENSFREUDE LÄSST SICH EINRICHTEN.